

LIGHTING
DESIGN
AWARDS

LED Lighting Products and Fixtures

Instalight 1060 Elements



Company **Tobias Link & Instalighting**

Lead Designer **Tobias Link, Ralph Wemper, Markus Höngen**

Categories **Winner in LED Lighting Products and Fixtures**

Location **Saarbrücken and Lüdenscheid**

the instalighting 1060 is a super slim recessed floor luminaire.

Due to its small dimensions of only 28.5 mm width, it is almost invisible when installed and therefore does not disturb the architecture it is meant to illuminate.

Specially developed micro-reflectors allow precise, powerful light control with high visual comfort thanks to optimum glare control. In this way, light is directed to where it is needed, thus also preventing light pollution.

The luminaire can be supplied in all conceivable light colours

They are available in standard sizes of 344mm, 500mm, 1.000mm, but special lengths are also possible.

Minimally visible housing parts make the luminaire inconspicuous in daylight

Flush installation for perfect integration into the surroundings

Weatherproof and UV-resistant materials guarantee color stability for the entire service life

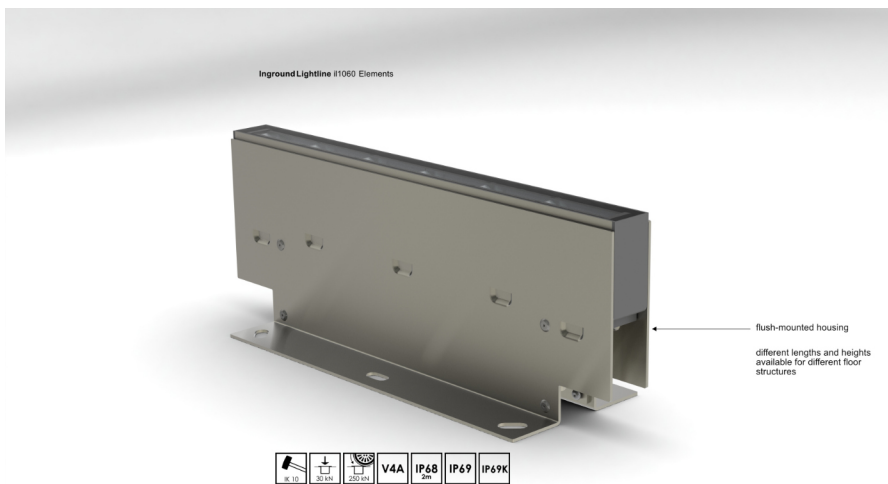
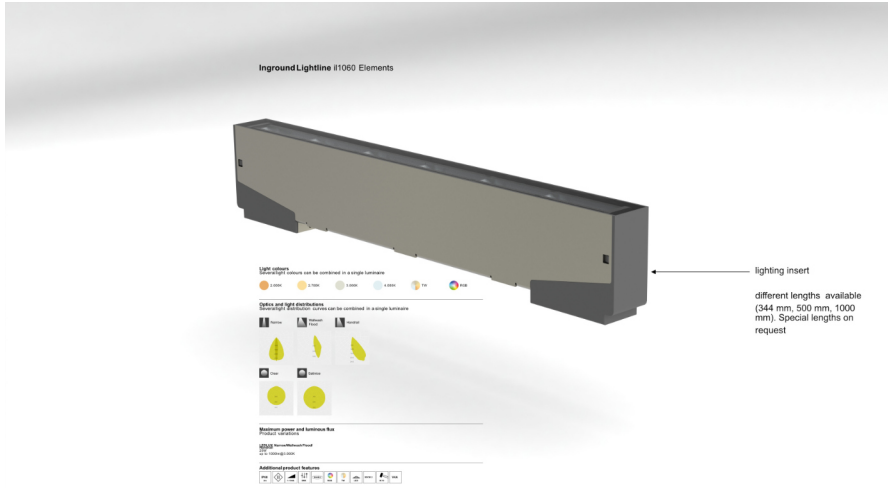
Extremely stable installation frame, can withstand wheeled vehicles

High quality look due to construction without screws in the visible area

Maintenance-free and safe from vandalism thanks to impact-resistant full grouting

Snap-In-technology of the light inserts for fast assembly without tools

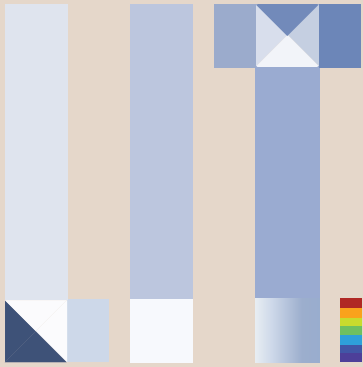




LIT Lighting Design Awards

Farmani Group





WINNER 2020

LIGHTING DESIGN AWARDS

AWARD

LIT 2020
WINNER

PROJECT NAME

INSTALIGHT 1060ELEMENTS

COMPANY

TOBIAS LINK & INSTALIGHTING

LEAD DESIGNER

TOBIAS LINK, RALPH WEMPER, MARKUS HÖNGEN

The jury panel of LIT Lighting Design Awards certifies that Tobias Link & Instalighting has received this award for "Instalight 1060 Elements" in "LED Lighting Products and Fixtures" category.

HOSSEIN FARMANI FOUNDER

